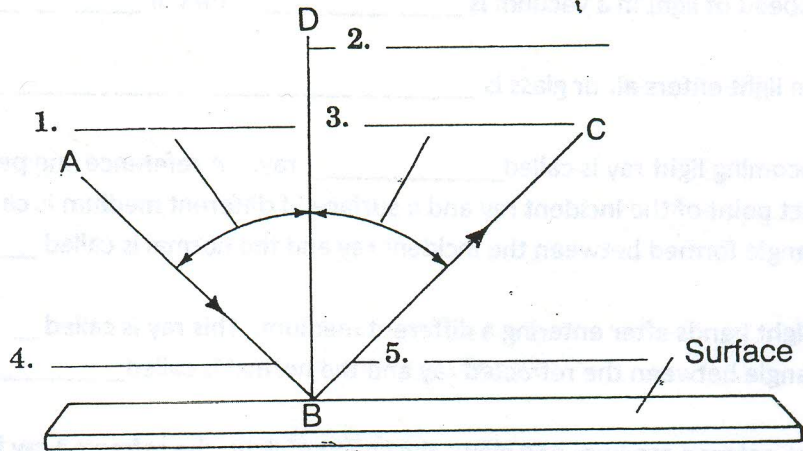


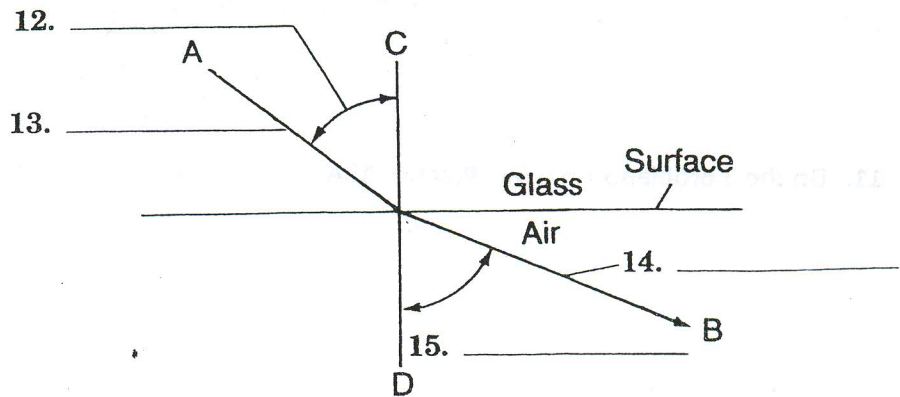
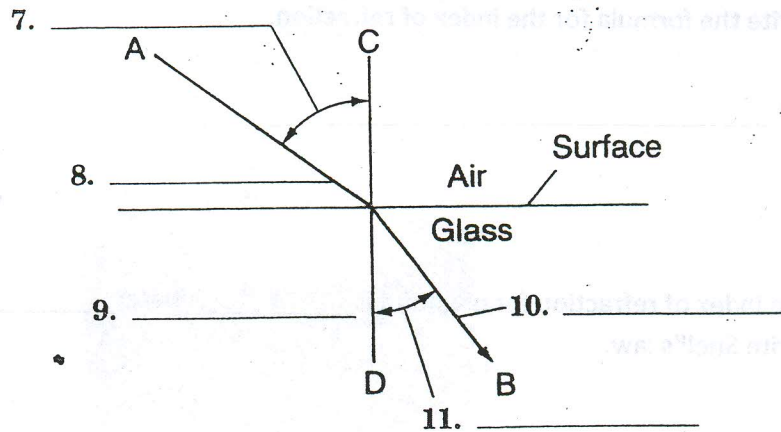
Reflection and Refraction

Reflection



6. Law of Reflection _____

Refraction



Ch 15 Questions

1. Define Refraction-
2. Refraction occurs when light's _____ changes.
3. The speed of light in a vacuum is _____ m/s or _____ miles/s
4. When light enters air or glass is _____.
5. An incoming light ray is called _____ ray. A reference line perpendicular to the impact point of the incident ray and a surface of different medium is called _____. The angle formed between the incident ray and the normal is called _____.
6. The light bends after entering a different medium. This ray is called _____. The angle between the refracted ray and the normal is called _____.
7. If light enters a medium and slows the speed of light, the refracted ray bends _____ the normal. If light speeds up after entering a medium, the refracted ray bends _____ from the normal. If the light rays hits the medium on the normal or perpendicular, the light ray does not _____, but does change speed.
8. Write the formula for the index of refraction.

n =
9. The index of refraction for diamond is _____, water _____, air _____
10. Write Snell's law.
11. Do the 3 problems on p.567 Practice 15A